



FAG

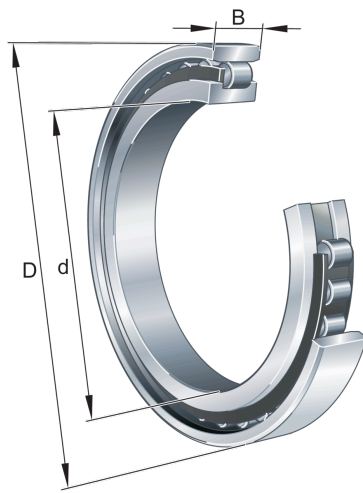
N203-E-XL-TVP2

Cylindrical roller bearing

Schaeffler ID:
0192171530000

Cylindrical roller bearing N2..-E-TVP, with cage, single row, non-locating bearing, 0 ribs on outer ring, 2 rib on inner ring, type N2

Technical information

**Main Dimensions & Performance Data**

d	17 mm	Bore diameter
D	40 mm	Outside diameter
B	12 mm	Width
C_r	20,800 N	Basic dynamic load rating, radial
C_{0r}	14,600 N	Basic static load rating, radial
C_{ur}	2,230 N	Fatigue load limit, radial
$n_{G\text{ Grease}}$	22,400 1/min	Limiting speed for grease lubrication
$n_{G\text{ Oil}}$	26,500 1/min	Limiting speed for oil lubrication
	0.068 kg	Weight

Dimensions

$r_{1\text{ min}}$	0.3 mm	Minimum chamfer dimension
s_1	1.2 mm	Axial displacement
E	35.1 mm	Raceway diameter outer ring

Mounting dimensions

$d_{a\text{ min}}$	21 mm	Minimum diameter shaft shoulder
$D_{a\text{ max}}$	36 mm	Maximum diameter of housing shoulder
$r_{a1\text{ max}}$	0.6 mm	Maximum recess radius

Temperature range

T_{min}	-30 °C	Operating temperature min.
T_{max}	120 °C	Operating temperature max.